

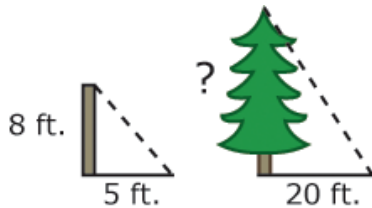
Most people also can identify a triangle as a three-sided figure with three angles. The three angles of a triangle add up to 180° .

Select the best answer for the following questions and type it on the line provided.

1. In triangle ABC, $\angle A = 75^\circ$, $\angle B = 15^\circ$, what is the measurement of $\angle C$? _____

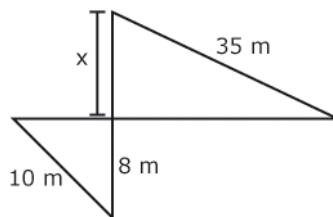
- a. 90°
- b. 75°
- c. 15°
- d. 270°

2. An 8ft. fence casts a 5ft. shadow at the same time that a tree casts a 20ft. shadow. How tall is the tree?

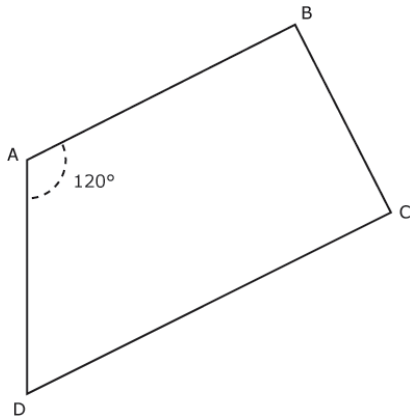


- a. 25 feet
- b. 32 feet
- c. 20 feet
- d. 22 feet

3. What is the length of x ? _____



- a. 32 m
- b. 30 m
- c. 25 m
- d. 28 m



4. In the quadrilateral ABCD, $\angle A$ is 120 degrees, $\angle D$ is $\frac{1}{2}$ of $\angle C$, and $\angle B$ is 90 degrees. Find $\angle C$.

5. In isosceles triangle EFG, $\angle E = 50^\circ$, what is the measurement of $\angle F$ and $\angle G$? _____